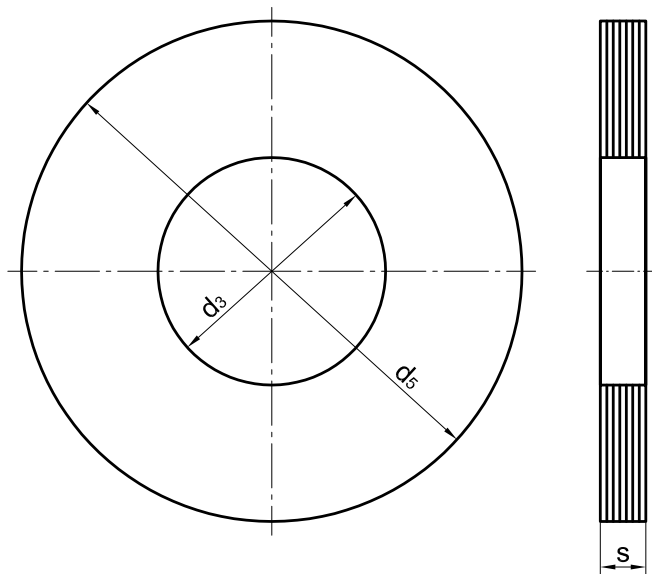
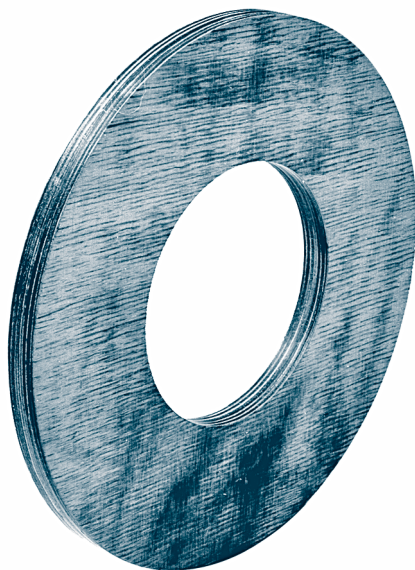


Wearing washers

fitting to travel wheels according to KG 010.2, KG 014 and KG 015

similar to DIN 15 069

KG 010.3



Designation of a wearing washer for wheel- \varnothing $d_1 = 300$ mm,
axle- \varnothing $d_3 = 50$ mm, thickness of the washer $s = 10$ mm:

Wearing washer 50 × 10 KG 010.3

Material:

Laminated wood bound with synthetic resin
(unsuitable for wet environment)

Other material and dimensions on request.

for wheel- \varnothing d_1	d_3 +1,0 +0,5	s +0,2 -0,2	d_5
160 200	40	5	90
		10	
250 300	50	5	110
		10	
315	55	5	120
		10	
400	60	5	140
		10	
500	70	5	160
		10	
630	80	5	170
		10	