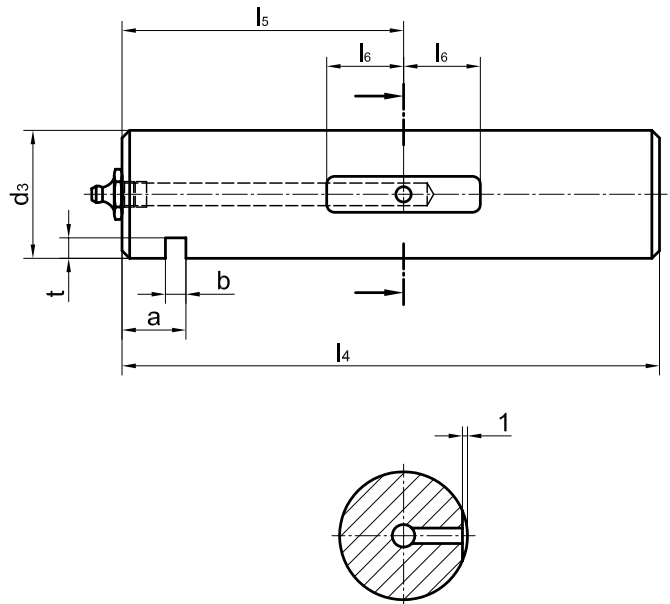
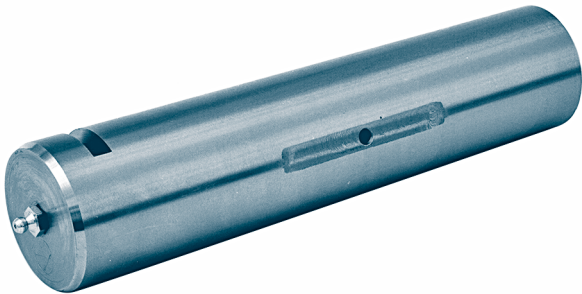


# Wheel axles with lubrication bore

fitting to wheels according to KG 010.2 and KG 030

# KG 010.4



Designation of an axle for travel wheel -  $\varnothing d1 = 300$  mm,  
axle- $\varnothing d3 = 50$  mm, length 210 mm:

**Axle 50 × 210 KG 010.4**

Supplied with spherical grease nipple  
AM 10 × 1 DIN 71412.

Material: 42CrMo4+QT or C45

**Other material and dimensions on request.**

for wheel- $\varnothing$ d1	d3 f7	l4	l5	l6	a	b +0,5	t +0,5	unit weight ≈[kg]
<b>160</b> <b>200</b>	40	190	100	30	25	8	7	1,8
<b>250</b> <b>300</b>	50	210	110	30	25	8	8	3,1
<b>315</b>	55	265	135	40	25	8	9	4,8
<b>400</b>	60	265	135	40	25	8	9	5,7
<b>500</b>	70	285	150	50	25	10	10	8,5
<b>630</b>	80	335	170	50	25	10	10	13