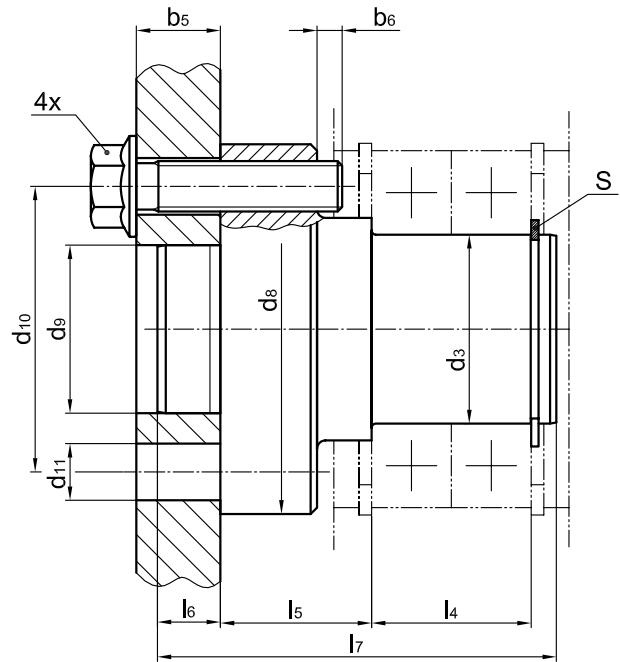
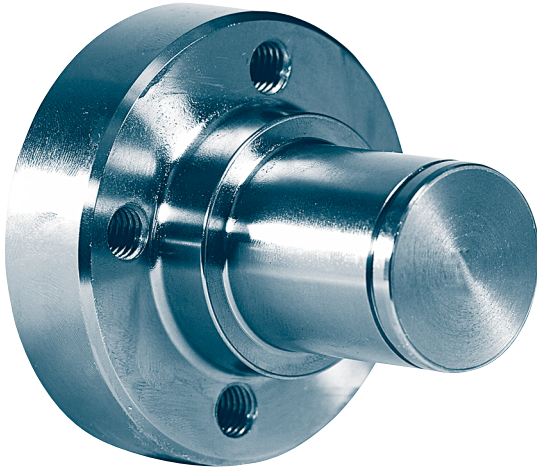


Wheel axles

fitting to travel wheels according to KG 020
for an easy assembly into steel structures

KG 020.1



Designation of an axle for travel wheel - $\varnothing d1 = 200$ mm:

Axle 200 KG 020.1

The supply takes place supplied fully machined,
including circlip and 4 locking screws.

Material: 42CrMo4+QT

**Other materials, dimensions or wheel axle for welding on
Request.**

for wheel- \varnothing d1	d3	d8	d9 - 0,1	d10	d11	l4	l5	l6	l7	locking screws (included)	b5 ¹⁾	b6 max.	S circlip DIN 471
130	30	67	25	48	4x $\varnothing 11$	32	23	10	70	M10x30 10.9	12-16	5	30x1,5
160	35	77	35	58	4x $\varnothing 11$	34	31,5	11	82	M10x35 10.9	12-20	6	35x1,5
200	45	88	40	68	4x $\varnothing 13,5$	38	36	12	92	M12x40 10.9	12-25	7	45x1,75
300	65	127	50	98	4x $\varnothing 17,5$	46	44,5	16	114	M16x50 10.9	16-30	11	65x2,5

1) For different metal gauge b5 other lengths of the screws are required.