

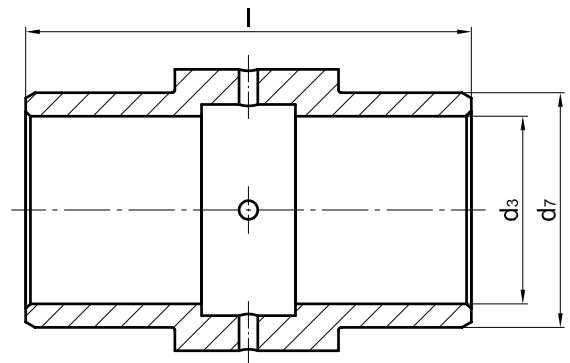
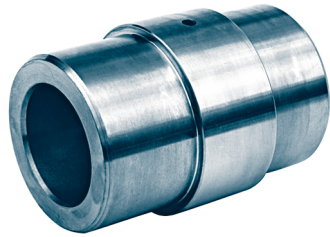
Bushing for crane wheels KG 030

similar DIN 15 049

KG 030

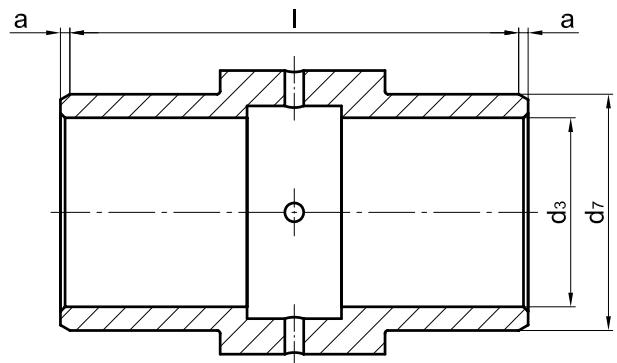
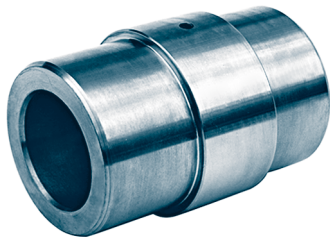
Design 1

length of the bush correlates with the width of the wheel



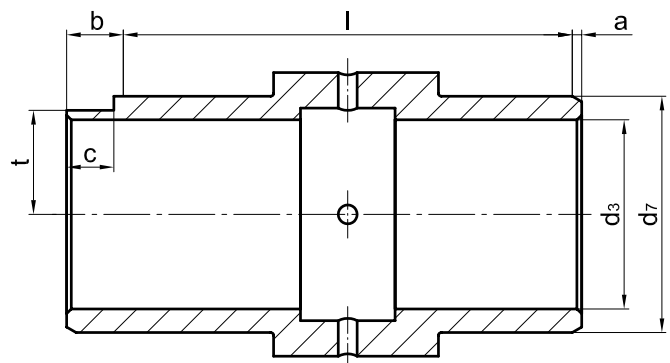
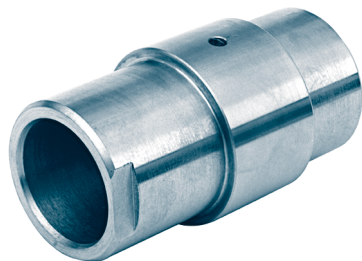
Design 2

bush both-sided overlaying at gauge, against wheelbody



Design 3

bush both-sided overlaying against wheel body and with flattening against rotation (mounted on flush hub side resp. opposite gear ring)



dimensions of the bushing

for Rad-Ø d1	d3 E9	d7 g6	a	b	c	t	l -0,5
200	40	50	2	12	10	22	95
250	50	60	2	12	10	27,5	120
300	50	65	3	13	10	29	120
315	55	75	3	13	10	32,5	140
400	60	90	5	15	10	40	140
500	70	100	5	15	10	45	170
630	80	110	5	15	10	50	200