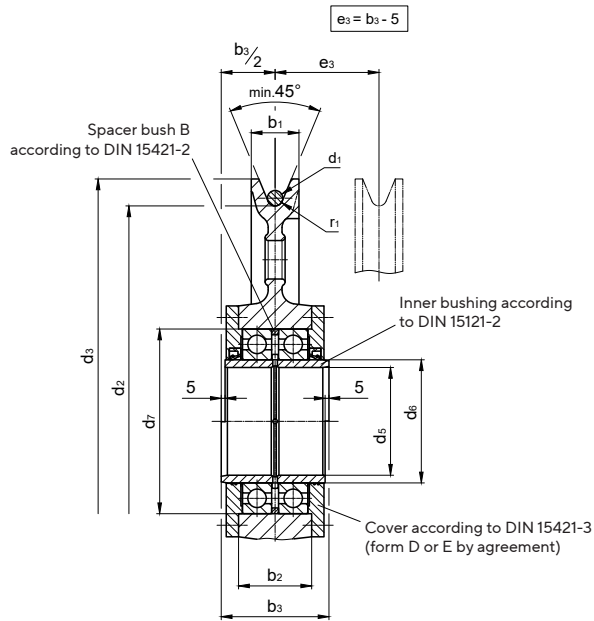


Rope Pulleys

Form B with deep groove ball bearings and inner bushing

DIN 15421

Design:



Designation of a pulley of $d_2 = 500$ mm and $r_1 = 10.5$:

Rope Pulley 500 x 10,5 DIN 15421

Grooved profile (r1) according to DIN 15061 part 1

Materials sheave: cast steel GS-60 or GS-42CrMo4 forged from C45, C60 or 42CrMo4 on request with hardened rope groove *no welded version made of St52*

Application	Dimensions										
	d2	r1	d1	d3	d5	d6	d7	b1	b2	b3	Deep grooved ball bearing DIN 625
2 - sheaves bottom hook block	225	4,8	9	260	E9	h6	K7		0 -0,2	0 -0,2	6212
	280	6	11	320							6214
	315	7	13	360							6214
	355	7,5	14	405							6216
	400	8,5	16	455							6218
	450	9,5	18	510							6220
	500	10,5	20	570							6222
	560	12	22	630							6224
	630	14	26	710							6226
	710	15	28	790							6228
	800	17	32	890							6230
900	19	36	1010							6232	
2 - sheaves bottom hook block	560	10,5	20	630							6032
	630	12	22	700							6034
	710	14	26	790							6038
	800	15	28	880							6040
	900	17	32	990							6044
	1000	19	36	1110							6048
	1120	21	40	1240							6052
1250	24	44	1380							6056	

Other materials and dimensions on request.