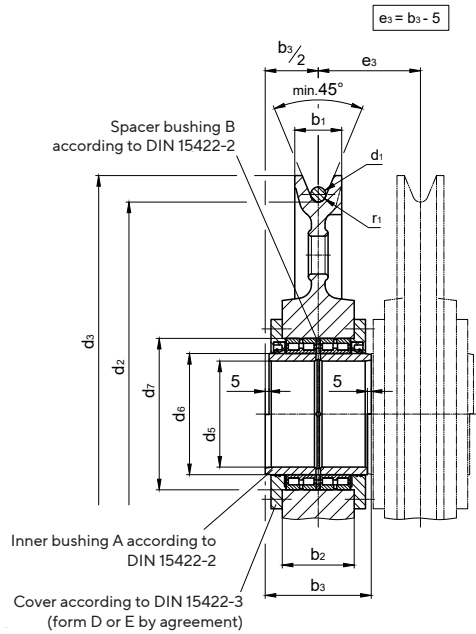


Rope Pulley

Form A with cylindrical roller bearings and inner bushings

DIN 15422

Design:



Designation of a rope pulley of $d_2 = 500$ mm and $r_1 = 10.5$:

Rope pulley 500 x 10,5 DIN 15422

Materials sheave: cast steel GS-60 or GS-42CrMo4
 forged from C45, C60 or 42CrMo4
 on request with hardened rope groove
no welded version made of St52

Grooved profile (r1) according to DIN 15061 Part 1

Application	d2	r1	d1	d3	Dimensions			b1	b2	b3	Cylinder roller bearing DIN 5412
					d5	d6	d7				
2 - sheaves bottom hook block	225	4,8	9	260	E9	h6	M7	32	65	100	NNC 4912 V
	280	6	11	320	45	60	85	38	75	110	NNC 4914 V
	315	7	13	360	55	70	100	44	75	110	NNC 4914 V
	355	7,5	14	405	60	70	100	44	75	110	NNC 4916 V
	400	8,5	16	455	70	80	110	48	75	110	NNC 4918 V
	450	9,5	18	510	75	90	125	52	85	130	NNC 4920 V
	500	10,5	20	570	80	100	140	60	95	130	NNC 4922 V
	560	12	22	630	90	110	150	62	95	140	NNC 4924 V
	630	14	26	710	100	120	165	70	105	150	NNC 4926 V
	710	15	28	790	110	130	180	72	115	160	NNC 4928 V
	800	17	32	890	120	140	190	80	115	160	NNC 4930 V
900	19	36	1010	130	150	190	90	95	160	NNC 4830 V	
900	19	36	1010	140	160	200	100	95	160	NNC 4832 V	
4 - sheaves bottom hook block	560	10,5	20	630	140	160	200	62	95	140	NNC 4832 V
	630	12	22	700	150	170	215	70	105	150	NNC 4834 V
	710	14	26	790	170	190	240	72	115	160	NNC 4838 V
	800	15	28	880	180	200	250	80	115	170	NNC 4840 V
	900	17	32	990	200	220	270	90	115	180	NNC 4844 V
	1000	19	36	1110	220	240	300	100	135	180	NNC 4848 V
	1120	21	40	1240	240	260	320	112	135	210	NNC 4852 V
	1250	24	44	1380	260	280	350	125	153	210	NNC 4856 V

Other materials and dimensions on request.